

# Manual Supplement

Manual Title:	Y8100	Supplement Issue:	1
Part Number:	534271	Issue Date:	11/95
Print Date:	February 1980	Page Count	3
Revision/Date:	2, 11/94		

---

---

This supplement contains information necessary to ensure the accuracy of the above manual.

**CHANGE #1**

On page 1-4, Table 1-1, under **ACCURACY**,

**CHANGE:** 100A, add  $\pm 6\%$  of reading.  
**TO:** >100A, add  $\pm 6\%$  of reading.

**CHANGE #2**

On page 1-4, Table 1-1, between **ACCURACY** and **CALIBRATION CYCLE**,

**ADD: EMC:** In an RF field of 3V/M on all Ranges:  
 Total Accuracy  
 DC TO 65 Hz: Specified Accuracy  $\pm 2.9A$   
 65 Hz to 1 kHz: Specified Accuracy

Replace **RECOMMENDED LOAD**,

**WITH: RECOMMENDED LOAD:**  $\geq 1 \text{ M}\Omega$ , 100 pF

On pages 5-2 and 5-3, Table 5-1, make the following changes:

**CHANGE:** B1-4/BATTERY, 1.5V,0-150MA, AA ALKALINE/376576/4  
**TO:** B1-4/BATTERY, 1.5V,0-150MA, AA ALKALINE/376756/4

**ADD:** FLT1/EMI/RFI FILTER/1

**CHANGE:** H1/SCREW, 3-24 X .313/542514/1  
**TO:** H1/SCREW, 3-24 X .313/542514/4

**ADD:** H10/WASHER,.130 X.250 X .032/1

**CHANGE:** R25/RES,MF, 1K, +-1%, 0.125w, 100PPM/168229/1  
**TO:** R25,27/RES,MF, 1K, +-1%, 0.125w, 100PPM/168229/2

**ADD:** SB1/SHEILD BEAD/1

**CHANGE:** U1/IC,OP AMP,QUAD,14 PIN DIP/402669/LM324N/1  
**TO:** U1/IC,OP AMP,QUAD,14 PIN DIP/1

On page 5-4, replace Figure 5-1 as shown in Figure A.

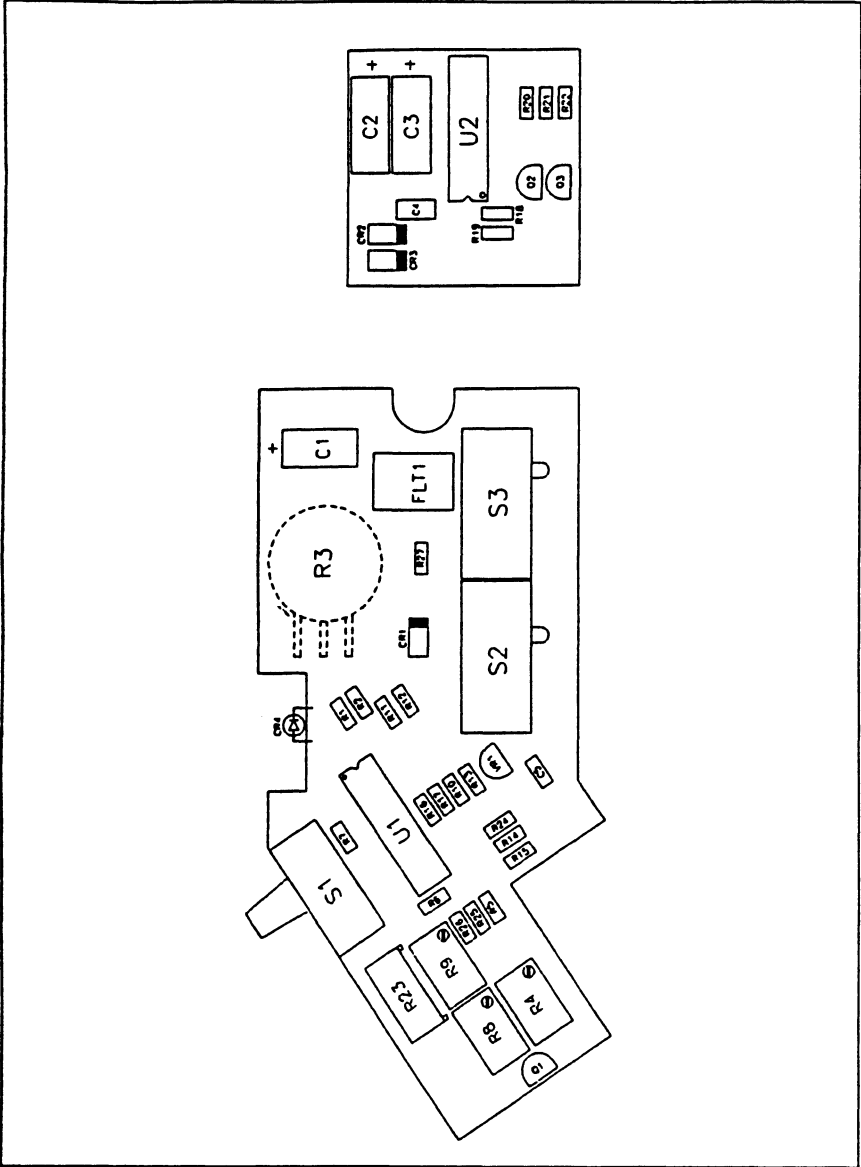


Figure A.

On pages 6-2 and 6-3, replace Figure 6-1 as shown in Figure B.

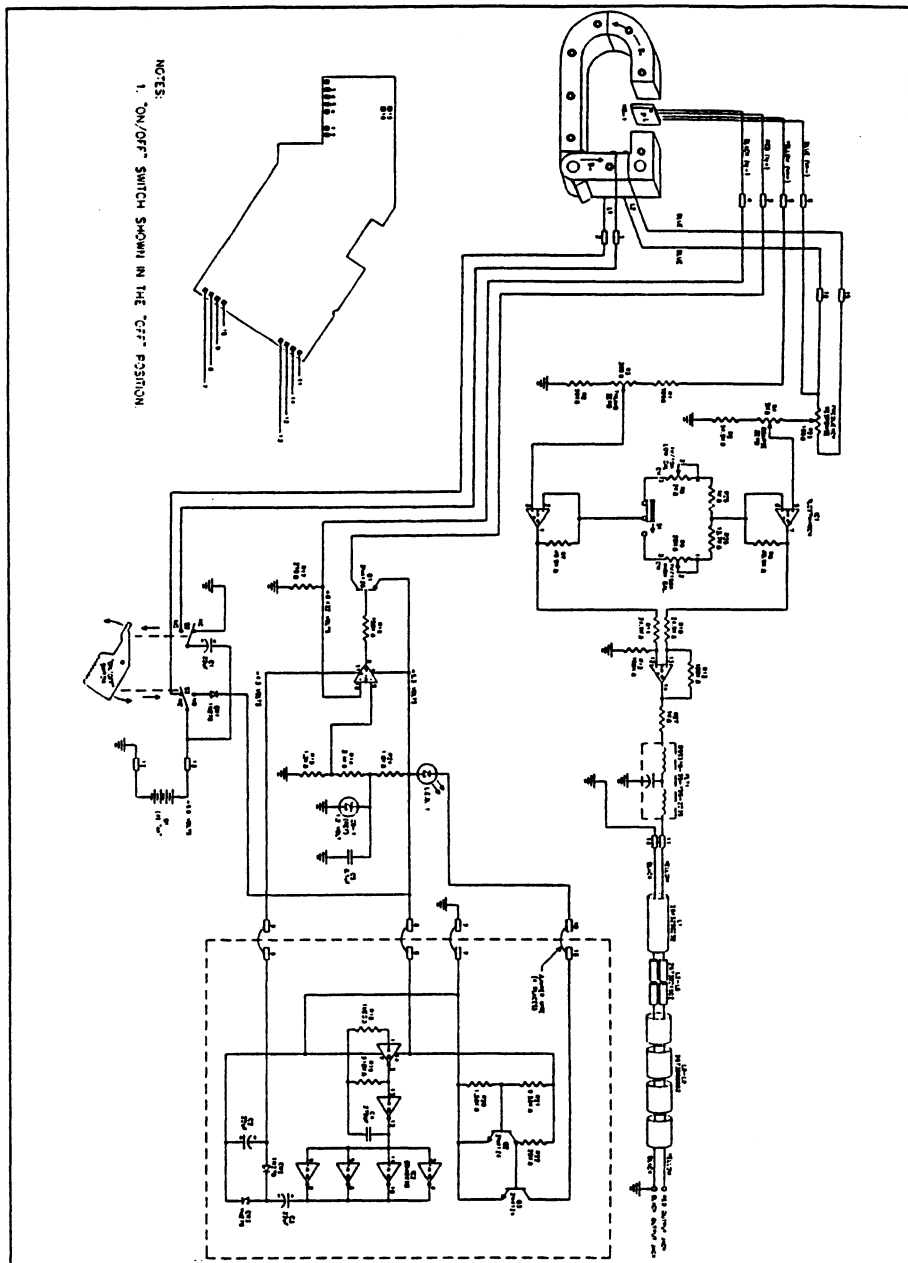


Figure B.